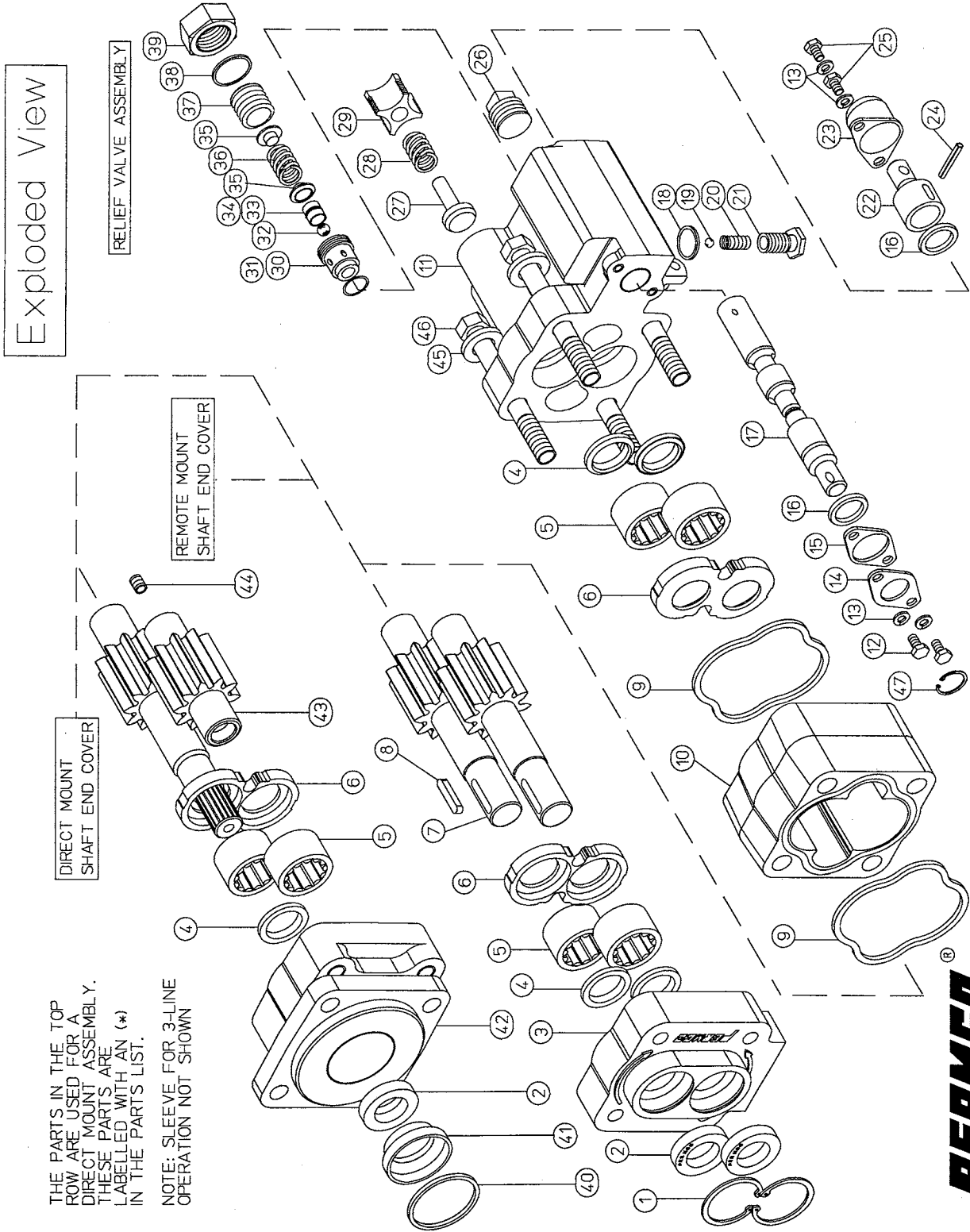


PARTS LIST

- 1.SNAP RING 400-00694
- 2.LIP SEAL W62-49-400
- 3.SHAFT END COVER 400-00461
- 4.RING SEAL KA-0558-1XS
- 5.ROLLER BEARING X-0921
- 6.THURST PLATE ZZ-0947-TC
- 7.GEAR SET 024-00364-***
- 8.KEY W09-02
- 9.GASKET SEAL K-2995-240
- 10.GEAR HOUSING 400-00577-***
- 11.PORT END COVER 400-00462
- 12.CAP SCREW W1-0
- 13.LOCK WASHER 400-00689
- 14.O'RING RETAINER 400-00622
- 15.O'RING SPACER 400-00680
- 16.O'RING Q-2995-7
- 17.VALVE SPOOL 400-00583
- 18.DETENT O'RING 400-00712
- 19.DETENT BALL 400-00861
- 20.DETENT SPRING 640-00520-SPR
- 21.DETENT RETAINER 400-00717
- 22.SPOOL EYE 400-00584
- 23.SPOOL EYE RETAINER 400-00623
- 24.PIN 400-00695
- 25.CAP SCREW W0-38-2
- 26.PLUG 400-00752
- 27.LOAD CHECK 400-00753
- 28.LOAD CHECK SPRING 400-01312
- 29.LOAD CHECK RETAINER 400-00864
- 30.RELIEF BALL SEAT 400-00867
- 31.BALL SEAT O'RING 400-00705
- 32.RELIEF BALL 400-00684
- 33.BALL RETAINER 400-00719
- 34.O'RING 400-00699
- 35.SPRING RETAINER 400-00699
- 36.RELIEF SPRING 400-00688
- 37.SPRING HOUSING 400-00691
- 38.COMPRESSION WASHER 400-00838
- 39.RELIEF CAP 400-00994
- 40.*RETAINER W023-206
- 41.*BEARING SPACER 400-00682
- 42.*SHAFT END COVER 574-00663
- 43.*GEAR SET AC-0024L-1-***
- 44.*PLUG 400-00720
- 45.WASHER W033-3
- 46.BOLT W1-400
- 47.SNAP RING 400-00718



THE PARTS IN THE TOP ROW ARE USED FOR A DIRECT MOUNT ASSEMBLY. THESE PARTS ARE LABELLED WITH AN (*) IN THE PARTS LIST.

NOTE: SLEEVE FOR 3-LINE OPERATION NOT SHOWN

