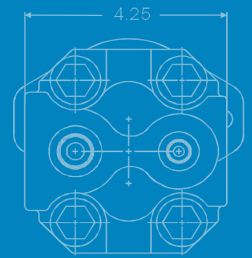
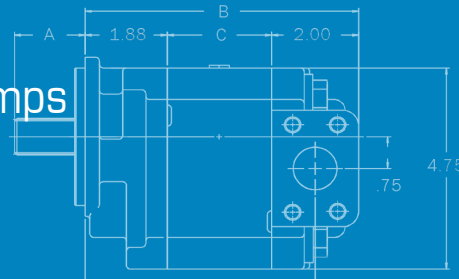


# Small Displacement Roller Bearing Pumps 3100 SERIES



Precision-Engineered Fluid Power Products

The Sensible Choice for Pumps & Motors



Bulk Feed Trucks  
Winch Motors  
Trucking Applications



## Features

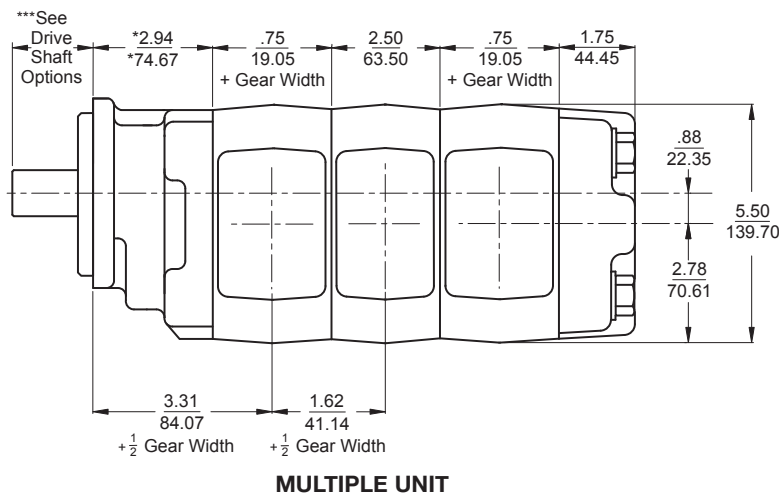
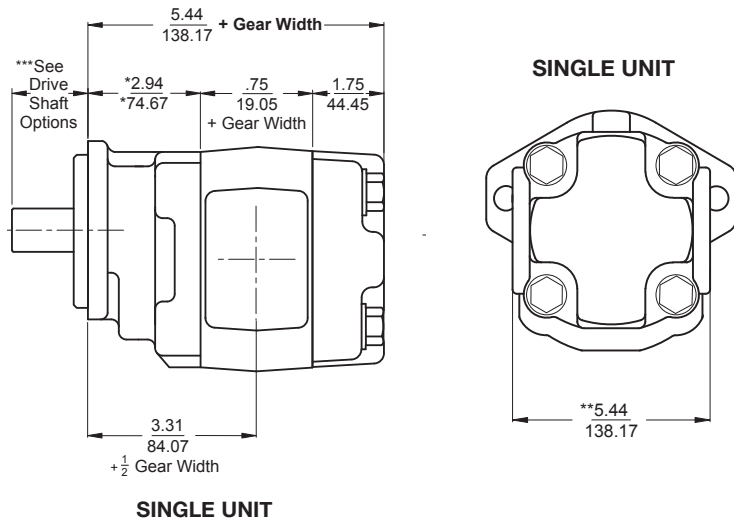
- Light duty roller bearing design in a small frame size
- Working pressure up to 3000 PSI
- Cubic inch displacements from 1.00 through 4.00
- Speeds up to 2400 RPM
- Flows up to 17 GPM
- Doweled and high strength cast iron construction
- High strength alloy steel gear and shaft sets
- Split flange & SAE ORB ports are available
- Pressure balanced wear plates maintain high pump efficiency throughout all operating ranges
- 100% factory tested





# Pumps & Motors

## Dimensional Data



Perenco is a leading manufacturer of high-pressure hydraulic gear/vane pumps and motors, flow dividers, intensifiers, and accessories. Available in a wide variety of sizes and configurations to suit your application needs.

## Product Information

### Pump / Motor

Gear Size	Displ Cu.In	Theo. GPM 1000 RPM	Max RPM	Max PSI
0.50	1.00	4.33	2400	3000
0.75	1.50	6.49	2400	3000
1.00	2.00	8.66	2400	3000
1.25	2.50	10.82	2400	3000
1.50	3.00	12.99	2400	3000
1.75	3.50	15.15	2400	2500
2.00	4.00	17.32	2400	2500

Our Online Support is available 24/7/365 for your needs!

Email: support@permco.com

Call: (800) 626.2801



Perenco USA | 1500 Frost Road | P. O. Box 2068 | Streetsboro, Ohio 44241



NFPA  
Solutions through  
friction technology

