

PERMCO

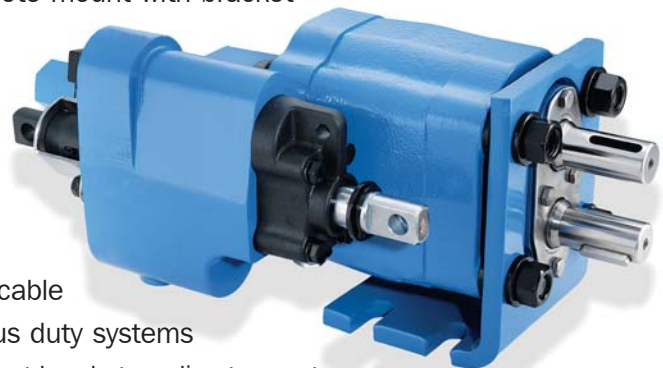
DUMP PUMPS

PUMP/VALVE ASSEMBLY FOR HEAVY AND MEDIUM DUTY DUMP TRUCKS AND TRAILERS



DUMP PUMP FEATURES

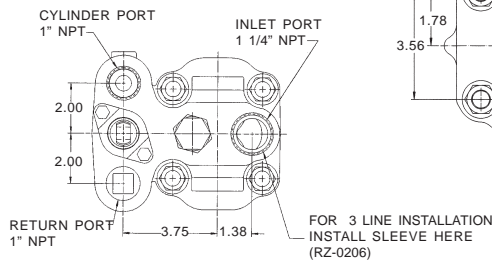
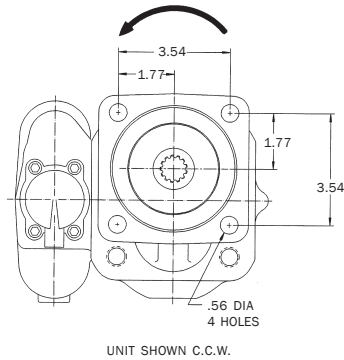
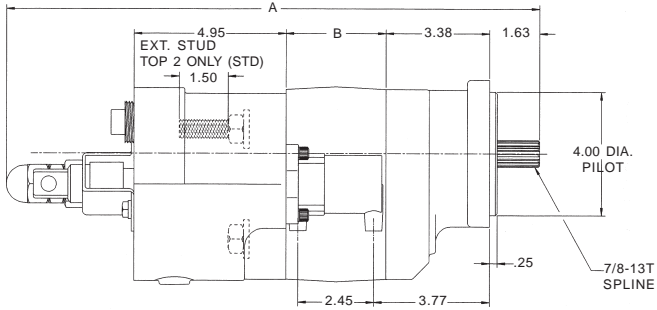
- Pump and cylinder protected in the “Raise” and “Neutral” position of the spool
- Manual shift, factory installed “OE” air, or “Add-on” air shifts each with full metering capabilities
- Built-in load check maintains dump body angle and is installed in the cylinder port for superior self-cleaning
- Direct mount SAE “B” 4 bolt or twin shafted remote mount with bracket
- Built-in direct acting relief valve set at factory
- 100% factory tested
- Flows of 37 and 46 GPM at 1800 RPM
- Pressures to 2500 PSI
- Speeds to 2400 RPM
- High strength alloy steel gear and shaft set
- Neutral lock-out safety cap for use with pull-out cable
- 2 line for intermittent duty or 3 line for continuous duty systems
- 2 extra long studs for easy installation of pump support bracket on direct mount
- Pressure balanced wear plates maintain high pump efficiency throughout all operating ranges



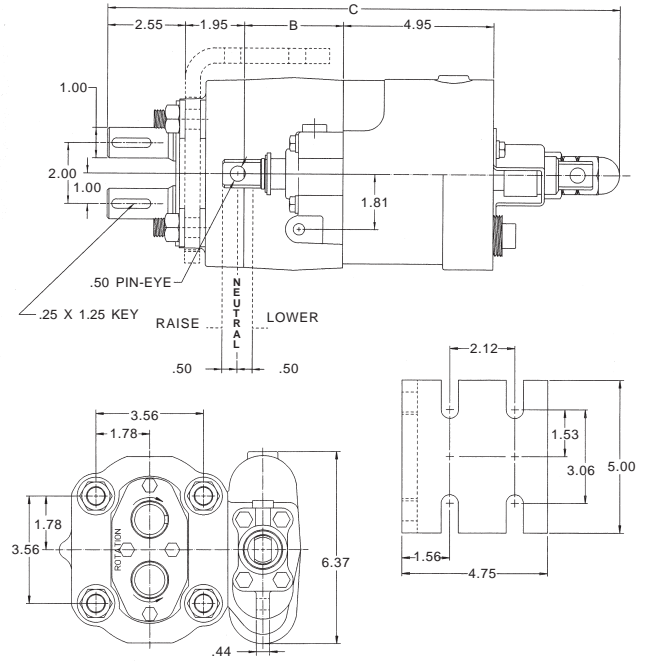
The Sensible Choice

Dimensional Data (inches)

Dump Pumps are not recommended for ejector, conveyor, or moving floor type applications; please refer to Genesis brochure (built # 02-406G) for those type or applications



PORT VIEW SHOWN FOR BOTH DIRECT AND REMOTE MOUNT



	A	B
DMD-20	16.85"	2.75"
DMD-25	17.35"	3.25"

	C	B
DM-512-20	16.35"	2.75"
DM-640-25	16.85"	3.25"

Pump Code

DMD - 25 - Z - L - AS - 20 - EB

Direct Mount, SAE 4 Bolt "B"

- 20** 2.0" Gear / 37 GPM at 1800 RPM
- 25** 2.5" Gear / 46 GPM at 1800 RPM

- X** 2 Line (Without 3 Line Sleeve)
- Z** 3 Line (With 3 Line Sleeve)

- L** Left Hand Rotation
- R** Right Hand Rotation

Extended Stud Orientation

- Delete** Top Two (Std.)
- EB** Bottom Two
- EL** Left Side
- ER** Right Side
- E4** All four

Relief Valve Setting

- 20** 2000 PSI
- 25** 2500 PSI

- AS** Air Shift
- MS** Manual Shift

DM - 640 - 25 - ZR - M - T - 200

Remote Mount

- 512-20** In.³ x 100 / 2.0" Gear / 37 GPM at 1800 RPM
- 640-25** In.³ x 100 / 2.5" Gear / 46 GPM at 1800 RPM

- X** 2 Line (Without 3 Line Sleeve)
- Z** 3 Line (With 3 Line Sleeve)

Valve Orientation

- L** Left Side
- R** Right Side (Std.)

Relief Valve Setting

- 200** 2000 PSI
- 250** 2500 PSI

- T** Manual Shift
- AS** "OE" Air Shift
- M** With Mounting Bracket (Std.)
- O** Without Mounting Bracket

Permco US
1500 Frost Road
P. O. Box 2068
Streetsboro, OH 44241

Phone 330-626-2801
Fax 330-626-2805
e-mail info@permco.com
www.permco.com

Permco Hydraulik AG
P. O. Box 553
6343 Rotkreuz
Switzerland
e-mail heinzm@permco.com

Permco (Tianjin) Hydraulics Inc., Ltd
236 Jinbindadao Free Trade Zone
TianJin Port, China
e-mail technic@permcotj.com
www.permcotj.com