

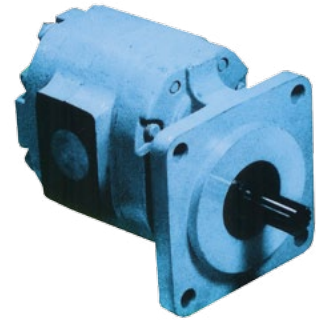


TECHNICAL SPECIFICATIONS



1500 SERIES

Small displacement roller bearing pump and motor



PUMP PERFORMANCE CHART [gpm]

GEAR WIDTH [in]

| SPEED [rpm] | GEAR WIDTH [in] | | | | | | | | | | | |
|--------------------------------------|-----------------|-----|-----|-------|-------|-------|------|-------|-------|-------|---|---|
| | 1/2 | 3/4 | 1 | 1 1/4 | 1 1/2 | 1 3/4 | 2 | 2 1/4 | 2 1/2 | 2 3/4 | 3 | |
| 600 | — | — | — | — | — | — | — | — | — | — | — | — |
| 900 | 1.7 | 2.5 | 3.4 | 4.2 | 5 | 5.8 | 6.7 | — | — | — | — | — |
| 1200 | 2.5 | 3.8 | 5.2 | 6.5 | 7.8 | 9.2 | 10.5 | — | — | — | — | — |
| 1500 | 3.4 | 5.1 | 7 | 8.8 | 10.7 | 12.5 | 14.3 | — | — | — | — | — |
| 1800 | 4.2 | 6.4 | 8.8 | 11.1 | 13.5 | 15.8 | 18.1 | — | — | — | — | — |
| Max RPM | 2000 | | | | | | | — | — | — | — | — |
| Displacement (in³) | 0.7265-2.906 | | | | | | | — | — | — | — | — |
| Displacement (cc) | 11.9-47.6 | | | | | | | — | — | — | — | — |
| Max Operating PSI | 2000 | | | | | | | — | — | — | — | — |

SPECIFICATIONS

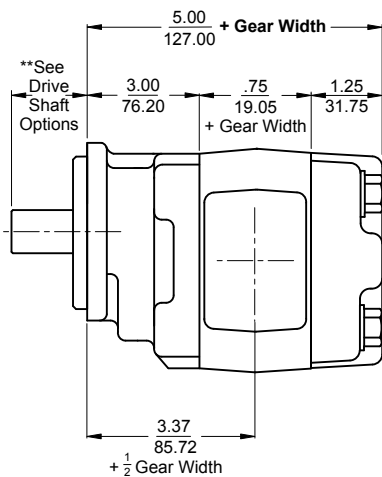
| Series | Type | Frame Size | Displacement | Max RPM | GPM @ 1000RPM | Max PSI |
|--------|---------|------------|--------------|---------|---------------|---------|
| 1500 | Bearing | Small | 0.73-2.91 | 2000 | 3-12.5 | 2000 |

MOTOR PERFORMANCE CHART

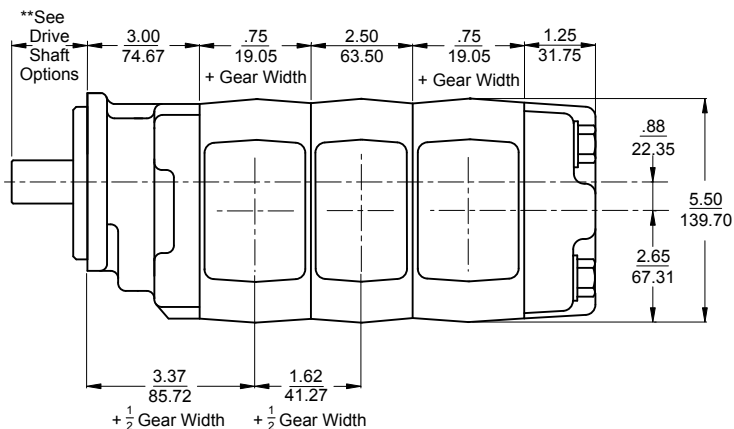
GEAR WIDTH [in]

| SPEED [rpm] | 1 | | | 1 1/2 | | | 2 | | |
|-------------|-------------|-----------------------|-------------|-------------|-----------------------|-------------|-------------|-----------------------|--------------|
| | Input (GPM) | Output Torque (in-lb) | Output (HP) | Input (GPM) | Output Torque (in-lb) | Output (HP) | Input (GPM) | Output Torque (in-lb) | Output (GPM) |
| 800 | 6 | 400 | 5 | 8.5 | 660 | 8.5 | 12 | 855 | 11 |
| 1200 | 8 | 395 | 7.5 | 13.5 | 655 | 12.5 | 17 | 845 | 16 |
| 1600 | 11 | 385 | 9.5 | 18 | 640 | 15.5 | 22 | 830 | 21 |
| 2000 | 14 | 370 | 12 | 21 | 590 | 18.5 | 27 | 795 | 25 |

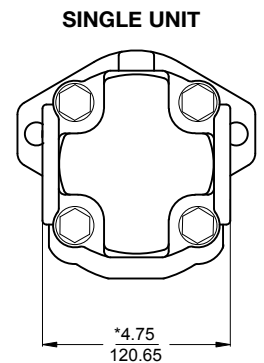
DIMENSIONAL DATA



SINGLE UNIT



MULTIPLE UNIT



SINGLE UNIT

DISCLAIMER Consult your Permco Representative or the factory for operation below 600 or above 2400 RPM and temperatures above 180° F. Oil Viscosity: 150 SUS (32.1 cSt.) at 100° F (37.8° C) | Oil Temperature: 150° F (65.5° C)



1500 Frost Road P.O. Box 2068
 Streetsboro, Ohio 44241
 Phone 330.626.2801 • Fax 330.626.2805

support@permco.com · www.permco.com
 twitter: @permco
 facebook: www.facebook.com/permco