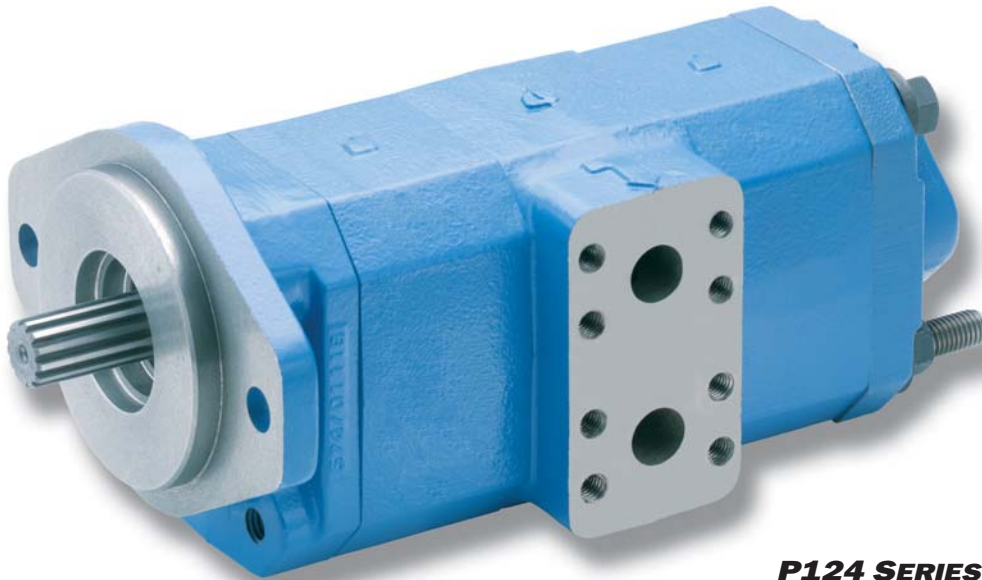


# PERMCO

# P124

## **124 SERIES PUMPS AND MOTORS**

**SMALL DISPLACEMENT SLEEVE BUSHING PUMPS AND MOTORS**



**P124 SERIES TANDEM,  
SINGLE INLET/DUAL OUTLET**

### **124 SERIES FEATURES**

- Heavy duty sleeve bushing design in a small frame size
- Cubic inch displacements from 0.62 through 2.48
- Working pressure up to 3500 PSI
- Speeds up to 3000 RPM
- Flows up to 30 GPM
- Doweled and high strength cast iron construction
- 100% factory tested
- High strength alloy steel gear and shaft sets
- Available as a clutch pump
- A wide range of porting, mounting, and shaft options available
- Pressure balanced wear plates maintain high pump efficiency throughout all operating ranges
- Both single inlet/single outlet and single inlet/dual outlet bearing carriers available

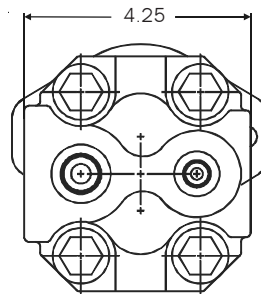
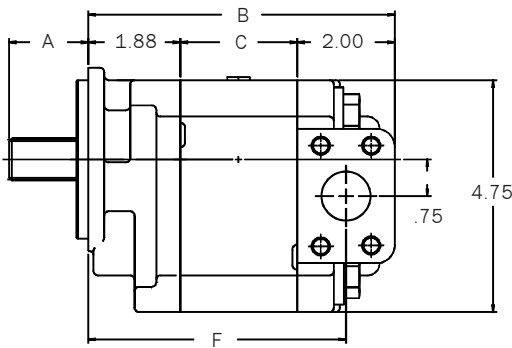


**P124 SERIES SINGLE**

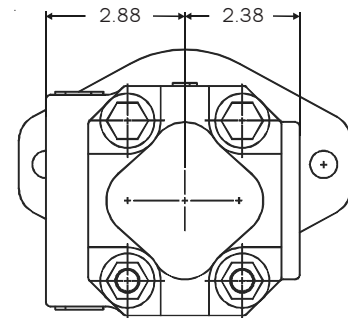
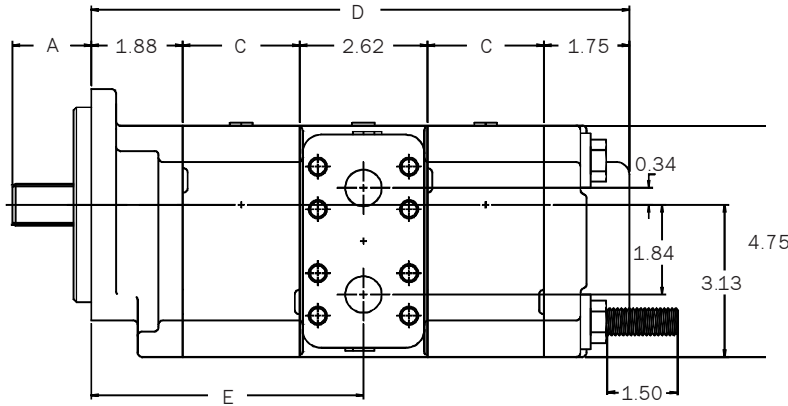


## *The Sensible Choice*

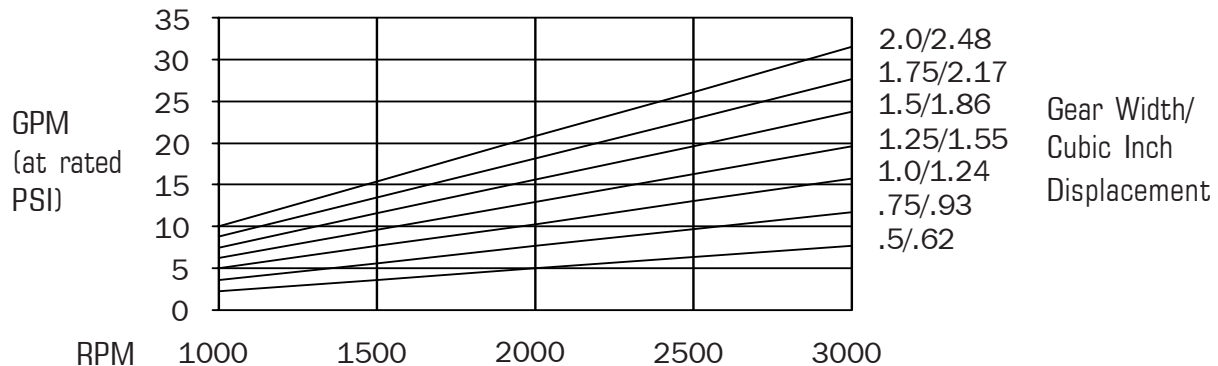
# Dimensional Data (inches)



- A. 1.63" SAE "B" shaft shown, other shafts available
- B. 4.27" plus gear width
- C. 0.4" plus gear width
- D. 7.04" plus total gear width
- E. 3.58" plus front gear width
- F. 3.27" plus gear width



## P124 Performance Chart/Specifications



GEAR WIDTH (IN)	DISPL CU IN/CC	MAX RPM	MIN RPM	MAX PSI/BAR
.5	.62/10	3000	600	3500/241
.75	.93/15	3000	600	3500/241
1.00	1.24/20	3000	600	3500/241
1.25	1.55/25	3000	600	3500/241
1.50	1.86/30	3000	600	3300/227
1.75	2.17/35	3000	600	2900/200
2.00	2.48/40	3000	600	2500/172

Permco  
1500 Frost Rd.  
P. O. Box 2068  
Streetsboro, OH 44241

Phone 330-626-2801  
Fax 330-626-2805  
e-mail info@permco.com  
www.permco.com

Permco Hydraulik AG  
P. O. Box 553  
6343 Rotkreuz  
Switzerland

Phone +41 (0)41 850 86 65  
Fax +41 (0)41 850 86 67  
e-mail heinzm@permco.com  
© Bulletin #02-124A